

BOX SCORE: *** FINAL ***

Date: 03-19-88 Site: State Tourney, Louisville Attendance: 19,575

Team: Clay County

NO.	NAME	TOTAL FG		3-POINT		FT	FTA	REB				PF	TP	A	TO	BLK	S	MIN
		FG	FGA	FG	FGA			O	D	T	I							
20	Jackson, Kevin	1	3	0	0	0	0	3	6	9	2	2	0	4	0	0	32	
22	Farmer, Russ	2	13	2	13	1	2	1	4	5	4	7	2	1	0	0	32	
54	Rawlings, E.	0	1	0	0	0	1	4	2	6	4	0	1	1	0	0	25	
10	Chadwell, Russ	9	15	0	1	1	2	0	1	1	3	19	0	0	0	1	32	
32	Farmer, Richie	20	32	9	14	2	4	3	4	7	2	51	6	1	1	1	32	
50	Gray, Terry	0	1	0	0	0	1	2	0	2	0	0	0	1	0	0	2	
30	Gilbert, A.	0	1	0	0	0	0	1	0	1	4	0	0	0	0	0	5	
TEAM								1	1	2								
TOTALS		32	66	11	28	4	10	15	18	33	19	79	9	8	1	2	160	

Percentages: Game----- FG 32/ 66 48.5% 3-PT. 11/ 28 39.3% FT 4/ 10 40.0%

Period 1 8/ 13 61.5% 2/ 4 50.0% 1/ 2 50.0%

Period 2 4/ 15 26.7% 2/ 7 28.6% 1/ 4 25.0%

Period 3 10/ 18 55.6% 1/ 5 20.0% 0/ 0 0.0%

Period 4 10/ 20 50.0% 6/ 12 50.0% 2/ 4 50.0%

Team: Ballard

NO.	NAME	TOTAL FG		3-POINT		FT	FTA	REB				PF	TP	A	TO	BLK	S	MIN
		FG	FGA	FG	FGA			O	D	T	I							
11	McDuffie, Eric	1	4	0	1	2	3	1	2	3	0	4	2	0	1	2	26	
21	Martin, Kenneth	11	19	0	0	2	4	9	5	14	1	24	0	0	0	0	32	
45	Gathright, Eric	3	6	0	0	0	0	3	7	10	2	6	2	3	0	1	31	
10	Bell, Mark	8	14	2	5	5	11	2	4	6	2	23	3	1	1	2	27	
20	Houston, Allan	8	19	1	8	6	6	2	3	5	2	23	5	3	0	1	32	
15	Howard, Todd	0	0	0	0	0	0	0	2	2	1	0	0	1	0	0	4	
25	McDuffie, Chas	3	3	0	0	2	2	0	0	0	3	8	0	0	0	0	8	
TEAM								1	1	1								
TOTALS		34	65	3	14	17	26	18	23	41	11	88	12	8	2	6	160	

Percentages: Game----- FG 34/ 65 52.3% 3-PT. 3/ 14 21.4% FT 17/ 26 65.4%

Period 1 7/ 13 53.8% 1/ 6 16.7% 4/ 4 100.0%

Period 2 8/ 16 50.0% 0/ 2 0.0% 0/ 0 0.0%

Period 3 12/ 19 63.2% 2/ 5 40.0% 0/ 1 0.0%

Period 4 7/ 17 41.2% 0/ 1 0.0% 13/ 21 61.9%

OFFICIALS: Yvon Allen, Burney Jenkins, Alt.-B. Barnes
 Technicals: None

SCORE BY PERIODS

Clay County	19	11	21	28	= 79
Ballard	19	16	26	27	= 88

Produced by the K.H.S.A.A. Stat Crew with FINAL III™

2nd Half Play by Play (continued)

Player	Team	Ballard	Time	Score	Clay County	Player	Team
0-1	00.0%	14-20 70.0%	4 0:30			3	14
			4 0:25		Foul on Chadwell, Russ		
5-9	55.5%	15-22 68.1%	4 0:25	*86-76			
			4 0:14	86-79*	3 pt 22 ft Straight Away Jump shot by Farmer, Richie	20-31 64.5%	32-65 49.2%
			4 0:14		Foul on Farmer, Russ	4	15
2-3	66.6%	17-24 70.8%	4 0:14	*88-79			
			4 0:02		Foul on Jackson, Kevin	2	16
			4 0:02				
		Subs In: Brown, Kevin, Miller, D., Baxter, Matt, Gardner, Scott					
		Out: McDuffie, Eric, Howard, Todd, Houston, Allan, Martin, Kenneth					
5-10	50.0%	17-25 68.0%	4 0:02				
5-11	45.4%	17-26 65.3%	4 0:02				

Clay County "Tigers" vs Ballard "Bruins"
2nd Half Play by Play

Tip off at 8:00 p.m. on 03/19/88 at State Tourney, Louisville
Produced by the K.H.S.A.A. Stat Crew with FINAL III™

PAGE : 2

Player	Team	Ballard
Bell, Mark	Houston, Allan	Martin, Kenneth, Gathright, Eric, McDuffie, Chas
11-16	68.7%	28-49 57.1%
5	10	Alley Oop Dunk by Martin, Kenneth
1	1	Assist by Houston, Allan
		Foul on Martin, Kenneth
1-2	50.0%	5-7 71.4%
		Bell, Mark, 2 Free Throws missed 1st made 2nd
2-2	100%	29-54 53.7%
		Follow Layup by McDuffie, Chas
1-1	100%	6-8 75.0%
		McDuffie, Chas, 1 Free Throw made
3-3	100%	30-55 54.5%
2	11	Layup Off Fast Break by McDuffie, Chas
		Assist by Gathright, Eric
2-2	100%	7-9 77.7%
3	2	McDuffie, Chas, 1 Free Throw made
		Foul on McDuffie, Chas
3-4	75.0%	9-11 81.8%
		Bell, Mark, 1 & Bonus made both
8-13	61.5%	31-58 53.4%
		13 ft Right Angle Jump shot by Bell, Mark
2-3	66.6%	11-13 84.6%
		Martin, Kenneth, 1 & Bonus made both
7-18	38.8%	32-60 53.3%
		16 ft Left Angle Jump shot by Houston, Allan
8-19	42.1%	33-63 52.3%
2	3	12 ft Lane Jump shot by Houston, Allan
		Foul on Gathright, Eric
4-6	66.6%	12-15 80.0%
		Bell, Mark, 2 Free Throws made 1st missed 2nd
6-6	100%	14-17 82.3%
		Houston, Allan, 2 Free Throws made both
3-6	50.0%	34-65 52.3%
3	12	Layup Off Fast Break by Gathright, Eric
		Assist by Bell, Mark
2-4	50.0%	14-18 77.7%
		Martin, Kenneth, 1 & Bonus missed 1st
4-7	57.1%	14-19 73.6%
		Bell, Mark, 1 & Bonus missed 1st

Time	Score	Clay County	Player	Team
		Chadwell, Russ, Jackson, Kevin, Farmer, Russ, Farmer, Richie, Gilbert, A.		
4 7:46	*63-51			
4 7:29				
4 7:29	63-52*	Chadwell, Russ, 2 Free Throws missed 1st made 2nd	1-2	50.0% 3-8 37.5%
4 7:13		Foul on Gilbert, A.	1	3
4 7:13	*64-52			
4 6:53	64-54*	Dunk Off Fast Break by Chadwell, Russ	7-11	63.6% 23-48 47.9%
		Assist by Farmer, Russ	2	7
4 6:39		Foul on Gilbert, A.	2	4
4 6:27	*66-54			
4 6:27		Foul on Jackson, Kevin	1	5
4 6:27	*67-54			
4 6:18	67-56*	12 ft Left Base Line Turnaround by Farmer, Richie	15-24	62.5% 24-49 48.9%
4 6:03	*69-56			
4 6:03		Foul on Farmer, Richie	2	6
4 6:03	*70-56			
4 5:57				
4 5:56	70-57*	Farmer, Richie, 2 Free Throws missed 1st made 2nd	2-4	50.0% 4-10 40.0%
4 5:30	70-60*	3 pt 22 ft Straight Away Jump shot by Farmer, Russ	2-10	20.0% 25-50 50.0%
4 5:11	70-63*	3 pt 23 ft Left Side Jump shot by Farmer, Richie	16-25	64.0% 26-51 50.9%
4 5:08				
		REB: 25 A: 7 BLK: 1 TO: 5 PF: 6		
		S: 1 FT: 4-10 40.0% FG: 26-51 50.9%		
4 5:08				
4 5:06		Foul on Gilbert, A.	3	7
4 5:06	*72-63			
4 4:34	*74-63			
4 4:22	74-65*	14 ft Left Base Line Jump shot by Chadwell, Russ	8-13	61.5% 27-54 50.0%
		Assist by Farmer, Richie	5	8
4 3:51		Foul on Gilbert, A.	4	8
4 3:51	*76-65			
4 3:23	*78-65			
4 2:57	*80-65			
4 2:45				
4 2:34		Foul on Farmer, Russ	1	9
4 2:34		Sub In: Rawlings, E. Out: Gilbert, A.		
4 2:34	*81-65			
4 2:02		Foul on Chadwell, Russ	2	10
4 2:01	*83-65			
4 1:55	83-67*	18 ft Left Base Line Jump shot by Chadwell, Russ	9-15	60.0% 28-61 45.9%
		Assist by Farmer, Richie	6	9
4 1:42	*85-67			
4 1:32	85-70*	3 pt 22 ft Left Side Jump shot by Farmer, Richie	17-28	60.7% 29-62 46.7%
4 1:18	85-73*	3 pt 23 ft Left Side Jump shot by Farmer, Richie	18-29	62.0% 30-63 47.6%
4 1:11		Foul on Farmer, Russ	2	11
4 1:10				
4 0:54		Foul on Farmer, Russ	3	12
4 0:46	85-76*	3 pt 22 ft Left Base Line Jump shot by Farmer, Richie	19-30	63.3% 31-64 48.4%

REB: 31 A: 11 BLK: 2 TO: 6 PF: 2
S: 4 FT: 7-9 77.7% FG: 30-57 52.6%

No. 1 Ballard TIME - O U T

Sub In: McDuffie, Eric Out: McDuffie, Chas

REB: 40 A: 12 BLK: 2 TO: 8 PF: 3
S: 6 FT: 14-19 73.6% FG: 34-65 52.3%

4 0:45
TIME - O U T Clay County No. 2

REB: 30 A: 9 BLK: 1 TO: 7 PF: 12
S: 2 FT: 4-10 40.0% FG: 31-64 48.4%

Clay County "Tigers" vs Ballard "Bruins"
2nd Half Play by Play

Tip off at 8:00 p.m. on 03/19/88 at State Tourney, Louisville
Produced by the K.H.S.A.A. Stat Crew with FINAL III™

PAGE : 1

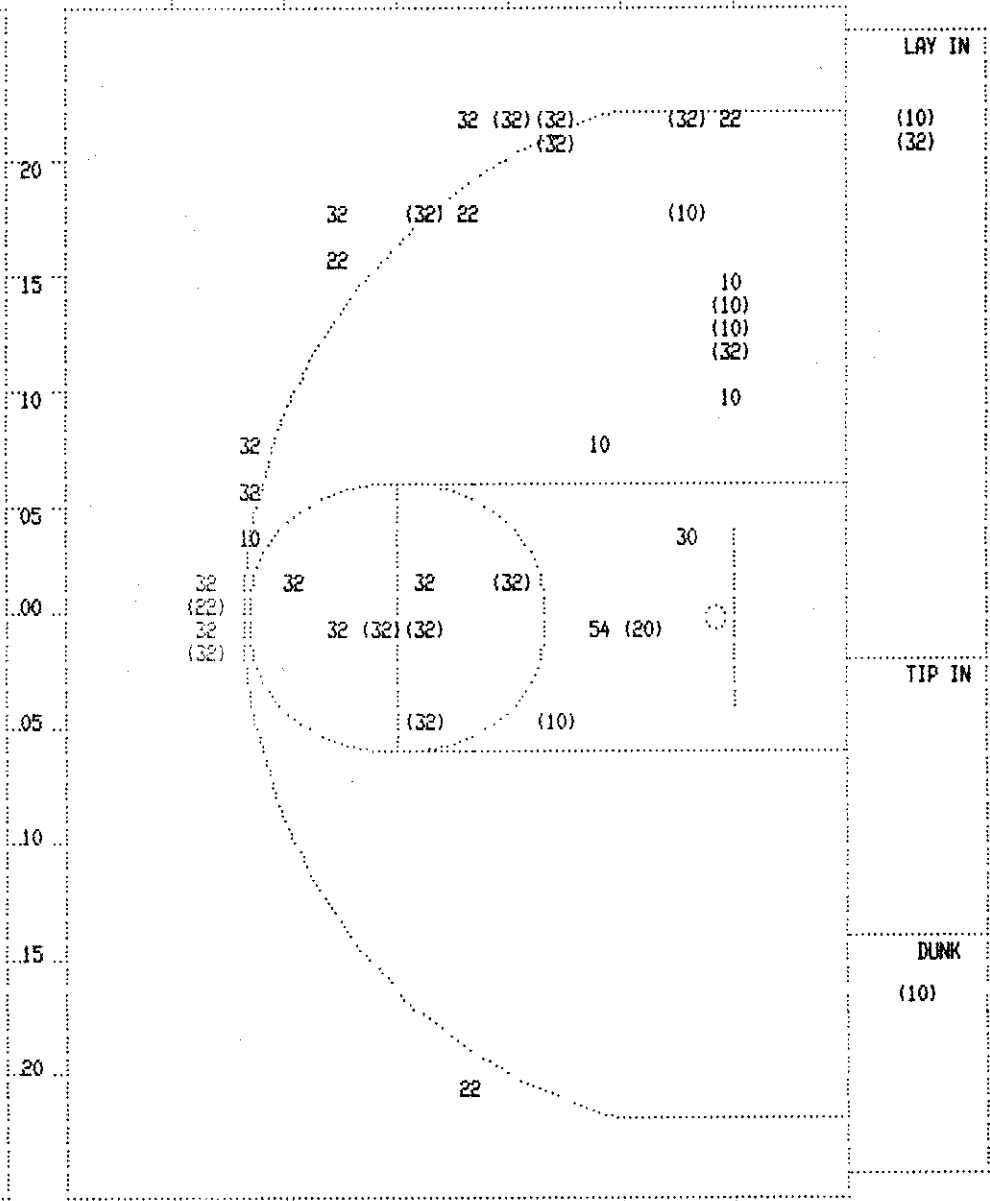
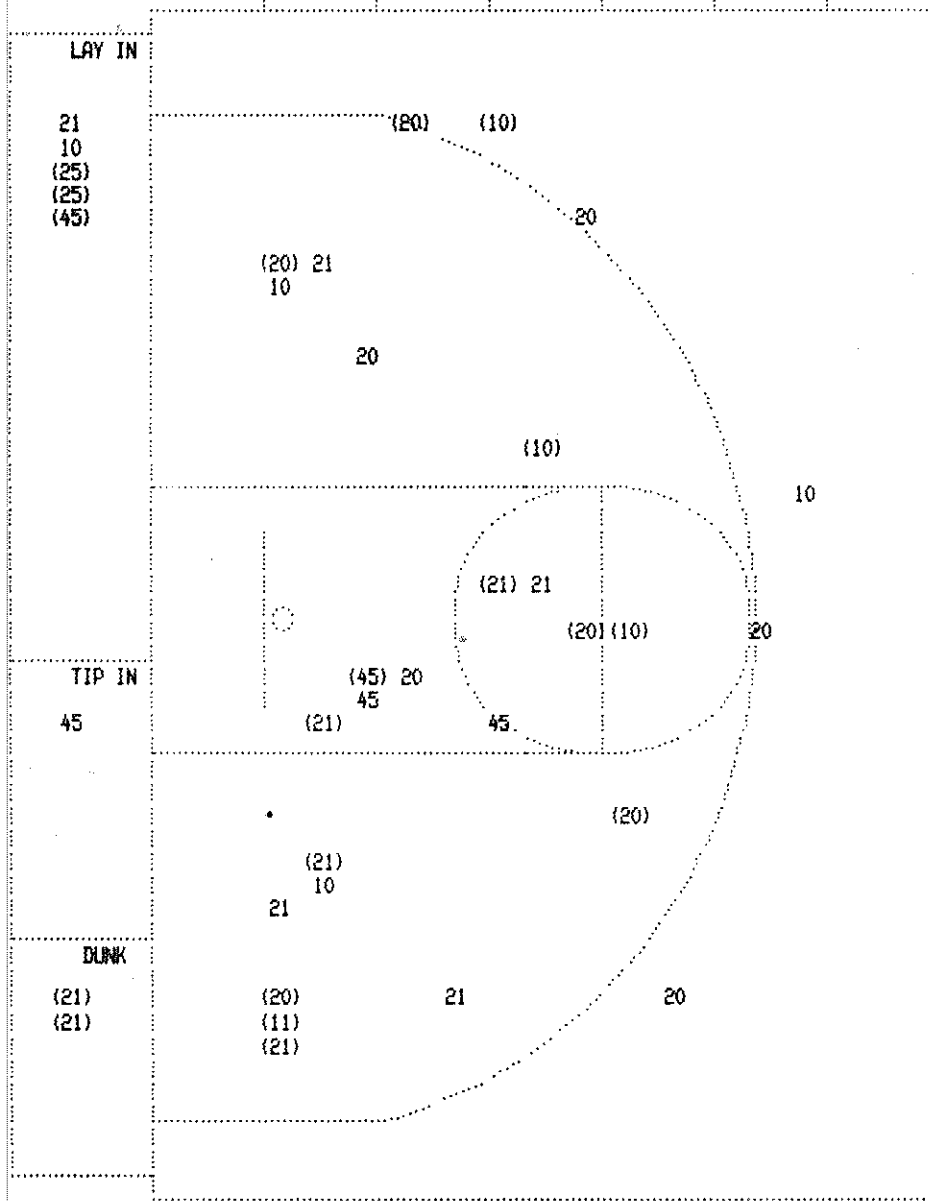
Player	Team	Ballard
McDuffie, Eric	Martin, Kenneth	Gathright, Eric, Bell, Mark, Houston, Allan
6-9	66.6%	16-31 51.6% 4 ft Lane Follow by Martin, Kenneth
0-1	00.0%	4-5 80.0% Martin, Kenneth, 1 Free Throw missed
7-11	63.6%	17-33 51.5% 10 ft Left Base Line Follow by Martin, Kenneth
4-11	36.3%	18-34 52.9% 16 ft Right Base Line Jump shot by Houston, Allan
8-12	66.6%	19-35 54.2% 18 ft Left Base Line Jump shot by Martin, Kenneth
5-12	41.6%	20-36 55.5% 16 ft Left Base Line Jump shot by Houston, Allan
2-2	100%	21-37 56.7% 3 ft Lane Turnaround by Gathright, Eric
1-4	25.0%	22-38 57.8% 16 ft Left Base Line Jump shot by McDuffie, Eric

REB: 23 A: 6 BLK: 2 TO: 5 PF: 0
S: 4 FT: 4-5 80.0% FG: 22-40 55.0%

T I M E - O U T Clay County No. 1

REB: 19 A: 6 BLK: 0 TO: 5 PF: 2
S: 0 FT: 2-6 33.3% FG: 18-38 47.3%

Time	Score	Clay County	Player	Team
		Jackson, Kevin, Farmer, Russ, Rawlings, E., Chadwell,	Russ, Farmer, Richie	
3 7:50	*37-30			
3 7:50		Foul on Farmer, Richie	1	1
3 7:50				
3 7:27	37-32*	14 ft Lane Turnaround by Farmer, Richie	9-13	69.2% 13-30 43.3%
3 7:06	*39-32			
3 6:47	39-35*	3 pt 23 ft Left Side Jump shot by Farmer, Richie	10-14	71.4% 14-31 45.1%
		Assist by Rawlings, E.	1	4
3 6:25	*41-35			
3 6:05	*43-35			
3 5:48	43-37*	14 ft Left Base Line Jump shot by Chadwell, Russ	4-8	50.0% 15-33 45.4%
		Assist by Farmer, Richie	3	5
3 5:26	*45-37			
3 5:08	45-39*	Driving Layup by Chadwell, Russ	5-9	55.5% 16-34 47.0%
		Assist by Farmer, Richie	4	6
3 4:54	*47-39			
3 4:38	47-41*	2 ft Lane Follow by Jackson, Kevin	1-3	33.3% 17-36 47.2%
3 4:22	*49-41			
3 4:00	49-43*	13 ft Lane Jump shot by Farmer, Richie	11-15	73.3% 18-37 48.6%
3 3:35		Foul on Rawlings, E.	3	2
3 3:35				
3 3:19	49-45*	Jump shot Flip by Farmer, Richie	12-17	70.5% 19-39 48.7%
3 2:57	*51-45			
3 2:35	51-47*	7 ft Lane Driving by Chadwell, Russ	6-10	60.0% 20-40 50.0%
3 2:18	*53-47			
3 2:03	53-49*	12 ft Lane Jump shot by Farmer, Richie	13-18	72.2% 21-41 51.2%
3 1:46	*56-49			
3 1:13	56-51*	8 ft Lane Jump shot by Farmer, Richie	14-20	70.0% 22-43 51.1%
3 0:51	*59-51			
3 0:28	*61-51			



Ballard			Clay County		
Player			Player		
11 - McDuffie,	1 / 1	100.0%	25 - McDuffie,	2 / 2	100.0%
21 - Martin, Ke	6 / 11	54.5%			
45 - Gathright,	2 / 5	40.0%			
10 - Bell, Mark	3 / 7	42.8%			
20 - Houston, A	5 / 10	50.0%			
Layups	1-9 Ft	10-15 Ft	Over 15 Ft	3 Pointers	Total
5 / 8	3 / 6	4 / 8	5 / 8	2 / 6	19 / 36
62.5%	50.0%	50.0%	62.5%	33.3%	52.8%

Ballard			Clay County		
Player			Player		
20 - Jackson, K	1 / 1	100.0%	30 - Gilbert, A	0 / 1	0.0%
22 - Farmer, Ru	1 / 5	20.0%			
54 - Rawlings,	0 / 1	0.0%			
10 - Chadwell,	6 / 10	60.0%			
32 - Farmer, Ri	13 / 21	61.9%			
Layups	1-9 Ft	10-15 Ft	Over 15 Ft	3 Pointers	Total
3 / 3	3 / 6	6 / 9	2 / 4	7 / 17	21 / 39
100.0%	50.0%	66.7%	50.0%	41.2%	53.8%

BOX SCORE: * OFFICIAL FIRST HALF * Date: 03-19-88 Site: State Tourney, Louisville Attendance: 19,575
 Team: Clay County

NO.	NAME	TOTAL FG		3-POINT		FT	FTA	REB				PF	TP	A	TO	BLK	S	MIN
		FG	FGA	FG	FGA			O	D	T	T							
20	Jackson, Kevin	0 / 2		0 / 0		0	0	1	1	2	0	0	0	2	0	0	16	
22	Farmer, Russ	1 / 8		1 / 8		1	2	1	2	3	0	4	1	0	0	0	16	
54	Rawlings, E.	0 / 0		0 / 0		0	1	2	1	3	2	0	0	1	0	0	14	
10	Chadwell, Russ	3 / 5		0 / 0		0	0	0	0	0	1	6	0	0	0	0	16	
32	Farmer, Richie	8 / 12		3 / 3		1	2	0	3	3	0	20	2	1	0	0	16	
50	Gray, Terry	0 / 1		0 / 0		0	1	2	0	2	0	0	0	1	0	0	2	
TEAM		12 / 28		4 / 11		2	6	7	8	15	3	30	3	5	0	0	80	
Percentages:		HALF-----		FG		12 / 28	42.9%	3-PT.		4 / 11	36.4%	FT		2 / 6	33.3%			
		Period 1				8 / 13	61.5%			2 / 4	50.0%			1 / 2	50.0%			
		Period 2				4 / 15	26.7%			2 / 7	28.6%			1 / 4	25.0%			

Team: Ballard

NO.	NAME	TOTAL FG		3-POINT		FT	FTA	REB				PF	TP	A	TO	BLK	S	MIN
		FG	FGA	FG	FGA			O	D	T	T							
11	McDuffie, Eric	0 / 3		0 / 1		0	0	0	1	1	0	0	1	0	0	0	13	
21	Martin, Kenneth	5 / 8		0 / 0		0	0	3	1	4	0	10	0	0	0	0	16	
45	Gathright, Eric	1 / 1		0 / 0		0	0	1	5	6	1	2	0	2	0	1	16	
10	Bell, Mark	5 / 7		1 / 3		0	0	0	2	2	2	11	0	0	1	1	11	
20	Houston, Allan	3 / 9		0 / 4		4	4	1	1	2	2	10	3	2	0	0	15	
15	Howard, Todd	0 / 0		0 / 0		0	0	0	2	2	1	0	0	1	0	0	4	
25	McDuffie, Chas	1 / 1		0 / 0		0	0	0	0	0	2	2	0	0	0	0	5	
TEAM		15 / 29		1 / 8		4	4	6	12	18	8	35	4	5	2	4	80	
Percentages:		HALF-----		FG		15 / 29	51.7%	3-PT.		1 / 8	12.5%	FT		4 / 4	100.0%			
		Period 1				7 / 13	53.8%			1 / 6	16.7%			4 / 4	100.0%			
		Period 2				8 / 16	50.0%			0 / 2	0.0%			0 / 0	0.0%			

OFFICIALS: Yvon Allen, Burney Jenkins, Alt.-B. Barnes
 Technicals: None

SCORE BY PERIODS
 Clay County 19 11 = 30
 Ballard 19 16 = 35

Produced by the K.H.S.A.A. Stat Crew with FINAL III™

Clay County "Tigers" vs Ballard "Bruins"
1st Half Play by Play

PAGE : 2

Tip off at 8:00 p.m. on 03/19/88 at State Tourney, Louisville
Produced by the K.H.S.A.A. Stat Crew with FINAL III**

Player	Team	Ballard	Time	Score	Clay County	Player	Team
Bell, Mark, Howard, Todd, Houston, Allan, Martin, Kenneth, Gathright, Eric					Jackson, Kevin, Farmer, Russ, Rawlings, E., Chadwell, Russ, Farmer, Richie		
			2 7:00		Ball to Tigers		
			2 6:47 *21-19		Player Control Foul on Rawlings, E.	2	3
4-6 66.6% 8-15 53.3%		6 ft Left Side Jump shot by Bell, Mark	2 6:29 *23-19				
5-7 71.4% 9-16 56.2%		Layup Off Fast Break by Bell, Mark	2 6:13 23-21*		4 ft Lane Bank by Farmer, Richie	5-7	71.4% 9-16 56.2%
			2 5:57 23-23*		6 ft Lane Turnaround by Farmer, Richie	6-8	75.0% 10-17 58.8%
1	3	Foul on Howard, Todd	2 5:39				
2-4 50.0% 10-20 50.0%		Follow Layup by Martin, Kenneth	2 5:28 23-26*		3 pt 23 ft Left Angle Jump shot by Farmer, Richie	7-9	77.7% 11-18 61.1%
2	4	Foul on Bell, Mark	2 5:10 *25-26				
		Sub In: McDuffie, Eric Out: Howard, Todd	2 5:08				
		Sub In: McDuffie, Chas Out: Bell, Mark	2 4:50 25-29*		3 pt 22 ft Left Angle Jump shot by Farmer, Richie	8-10	80.0% 12-19 63.1%
3-5 60.0% 11-22 50.0%		Follow Layup by Martin, Kenneth	2 4:43				
4-6 66.6% 12-23 52.1%		17 ft Left Side Jump shot by Martin, Kenneth	2 4:29 *27-29				
			2 3:59 *29-29				
		Player Control Foul on Houston, Allan	2 3:30		Sub In: Gray, Terry Out: Rawlings, E.		
3-9 33.3% 13-26 50.0%		10 ft Lane Jump shot by Houston, Allan	2 3:08				
1	6	Foul on McDuffie, Chas	2 2:40 *31-29				
			2 1:41		Gray, Terry, 1 & Bonus missed 1st	0-1	00.0% 1-3 33.3%
5-8 62.5% 14-28 50.0%		Alley Oop Dunk by Martin, Kenneth	2 1:37		Sub In: Rawlings, E. Out: Gray, Terry		
3	3	Assist by Houston, Allan	2 1:17 *33-29				
2	7	Foul on McDuffie, Chas					
			2 0:50		Rawlings, E., 1 & Bonus missed 1st	0-1	00.0% 1-4 25.0%
2	8	Foul on Houston, Allan	2 0:50				
		Sub In: Howard, Todd Out: Houston, Allan	2 0:46				
1-1 100% 15-29 51.7%		Driving Layup by McDuffie, Chas	2 0:45		33-30* Farmer, Russ, 1 & Bonus made 1st missed 2nd	1-2	50.0% 2-6 33.3%
1	4	Assist by McDuffie, Eric	2 0:16 *35-30				

Clay County "Tigers" vs Ballard "Bruins"
1st Half Play by Play

Tip off at 8:00 p.m. on 03/19/88 at State Tourney, Louisville
Produced by the K.H.S.A.A. Stat Crew with FINAL III™

PAGE : 1

Player				Team	Ballard	Time	Score	Clay County	Player	Team		
McDuffie, Eric				Martin, Kenneth	Gathright, Eric	Bell, Mark	Houston, Allan	Jackson, Kevin	Farmer, Russ	Rawlings, E.	Chadwell, Russ	Farmer, Richie
1-1	100%	1-1	100%	Layup Off Fast Break by Bell, Mark		1 7:34	0-4*	11 ft Lane Jump shot by Farmer, Richie	1-1	100%	1-1	100%
1-1	100%	2-2	100%	10 ft Right Side Jump shot by Houston, Allan		1 7:32	*2-4		1-1	100%	2-2	100%
2-2	100%	3-3	100%	8 ft Lane Jump shot by Houston, Allan		1 7:16	2-6*	10 ft Left Base Line Driving by Chadwell, Russ	1-1	100%	2-2	100%
				Foul on Gathright, Eric		1 7:02	*4-6		2-2	100%	3-3	100%
				Foul on Gathright, Eric		1 6:45	*6-6	14 ft Lane Turnaround by Farmer, Richie	2-2	100%	3-3	100%
				Foul on Gathright, Eric		1 6:32	6-8*	14 ft Lane Turnaround by Farmer, Richie	1-1	100%	4-5	80.0%
				Foul on Gathright, Eric		1 5:50		3 pt 22 ft Right Side Jump shot by Farmer, Russ	1			
				Foul on Gathright, Eric		1 5:17	6-73*	3 pt 22 ft Right Side Jump shot by Farmer, Russ	1			
				Foul on Gathright, Eric				Assist by Farmer, Richie	1			
				Foul on Gathright, Eric		1 5:02		Foul on Rawlings, E.	1			
2-2	100%	2-2	100%	Houston, Allan, 2 Free Throws made both		1 5:01	*8-73					
2-3	66.6%	4-6	66.6%	18 ft Left Side Jump shot by Bell, Mark		1 4:35	*10-73					
				Assist by Houston, Allan								
				Foul on Bell, Mark								
1-1	100%	5-8	62.5%	12 ft Left Side Jump shot by Martin, Kenneth		1 3:42			1-2	50.0%	1-2	50.0%
				Foul on Bell, Mark		1 3:42	10-74*	Farmer, Richie, 2 Free Throws missed 1st made 2nd				
				Foul on Bell, Mark		1 3:33	*12-74					
				Foul on Bell, Mark								
				Foul on Bell, Mark		1 3:27						
				Foul on Bell, Mark				REB: 2 A: 1 BLK: 0 TO: 1 PF: 1				
				Foul on Bell, Mark				S: 0 FT: 1-2 50.0% FG: 4-7 57.1%				
				Foul on Bell, Mark								
1-1	100%	6-10	60.0%	Follow Tip by Gathright, Eric		1 3:08	12-13*	3 pt 21 ft Left Angle Jump shot by Farmer, Richie	3-5	60.0%	5-8	62.5%
				Follow Tip by Gathright, Eric				Assist by Farmer, Russ	1			
				Follow Tip by Gathright, Eric		1 2:53	*14-13					
				Follow Tip by Gathright, Eric		1 2:09	14-15*	18 ft Left Base Line Jump shot by Chadwell, Russ	2-3	66.6%	6-10	60.0%
				Follow Tip by Gathright, Eric				Assist by Farmer, Richie	2			
				Follow Tip by Gathright, Eric								
				Follow Tip by Gathright, Eric		1 1:52	*17-15					
3-5	60.0%	7-12	58.3%	3 pt 21 ft Left Side Jump shot by Bell, Mark		1 1:41	17-17*	16 ft Left Base Line Jump shot by Chadwell, Russ	3-4	75.0%	7-11	63.6%
				Assist by Houston, Allan		1 1:08		Foul on Chadwell, Russ	1			
				Assist by Houston, Allan		1 1:08	*19-17					
				Assist by Houston, Allan		1 0:03	19-19*	14 ft Lane Jump shot by Farmer, Richie	4-6	66.6%	8-13	61.5%
4-4	100%	4-4	100%	Houston, Allan, 2 Free Throws made both								

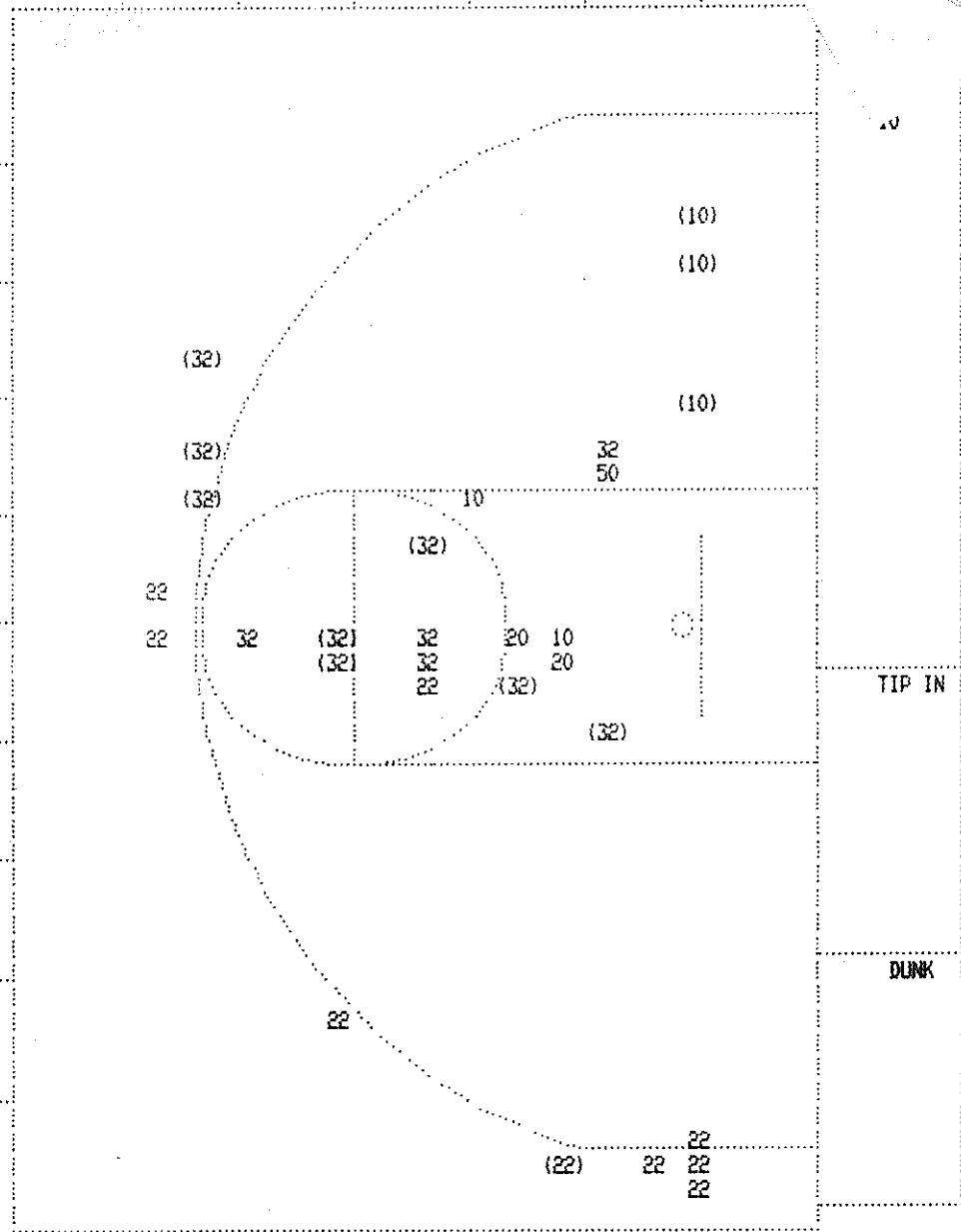
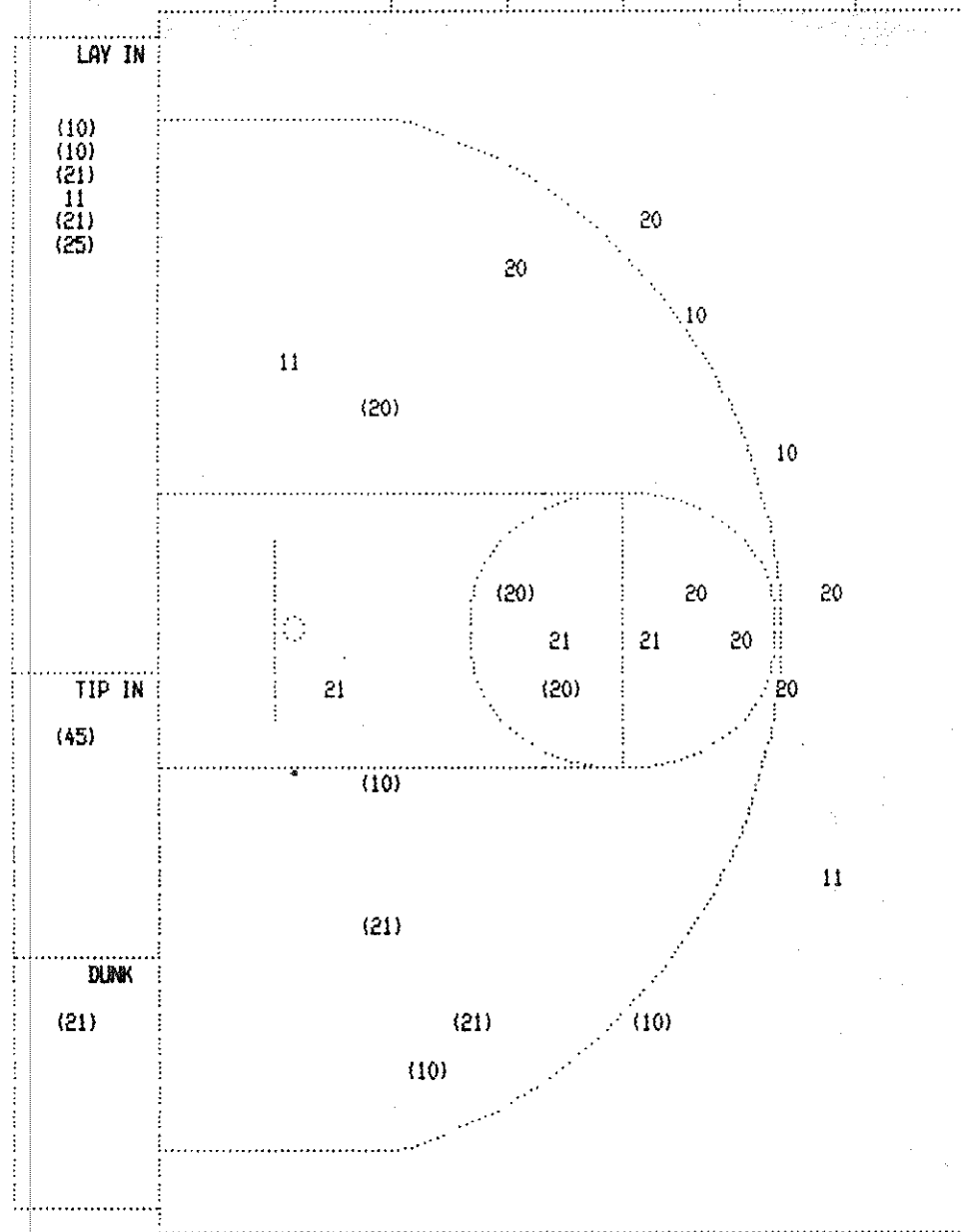
REB: 5 A: 1 BLK: 1 TO: 3 PF: 2
S: 1 FT: 2-2 100% FG: 5-8 62.5%

TIME - 0

Clay County No. 1

REB: 2 A: 1 BLK: 0 TO: 1 PF: 1
S: 0 FT: 1-2 50.0% FG: 4-7 57.1%

FIRST HALF SHOT CHART Produced by the K.H.S.A.A. Stat Crew with FINAL III™



Ballard					Player		Player	
11 - McDuffie,	0 / 3	0.0%	25 - McDuffie,	1 / 1	100.0%			
21 - Martin, Ke	5 / 8	62.5%						
45 - Gathright,	1 / 1	100.0%						
10 - Bell, Mark	5 / 7	71.4%						
20 - Houston, A	3 / 9	33.3%						
Layups	1-9 Ft	10-15 Ft	Over 15 Ft	3 Pointers	Total			
7 / 8	2 / 3	3 / 6	2 / 4	1 / 8	15 / 29			
87.5%	66.7%	50.0%	50.0%	12.5%	51.7%			

Clay County					Player		Player	
20 - Jackson, K	0 / 2	0.0%						
22 - Farmer, Ru	1 / 9	11.1%						
10 - Chadwell,	3 / 6	50.0%						
32 - Farmer, Ri	8 / 12	66.6%						
50 - Gray, Terr	0 / 1	0.0%						
Layups	1-9 Ft	10-15 Ft	Over 15 Ft	3 Pointers	Total			
0 / 1	2 / 7	4 / 8	2 / 3	4 / 11	12 / 30			
0.0%	28.6%	50.0%	66.7%	36.4%	40.0%			